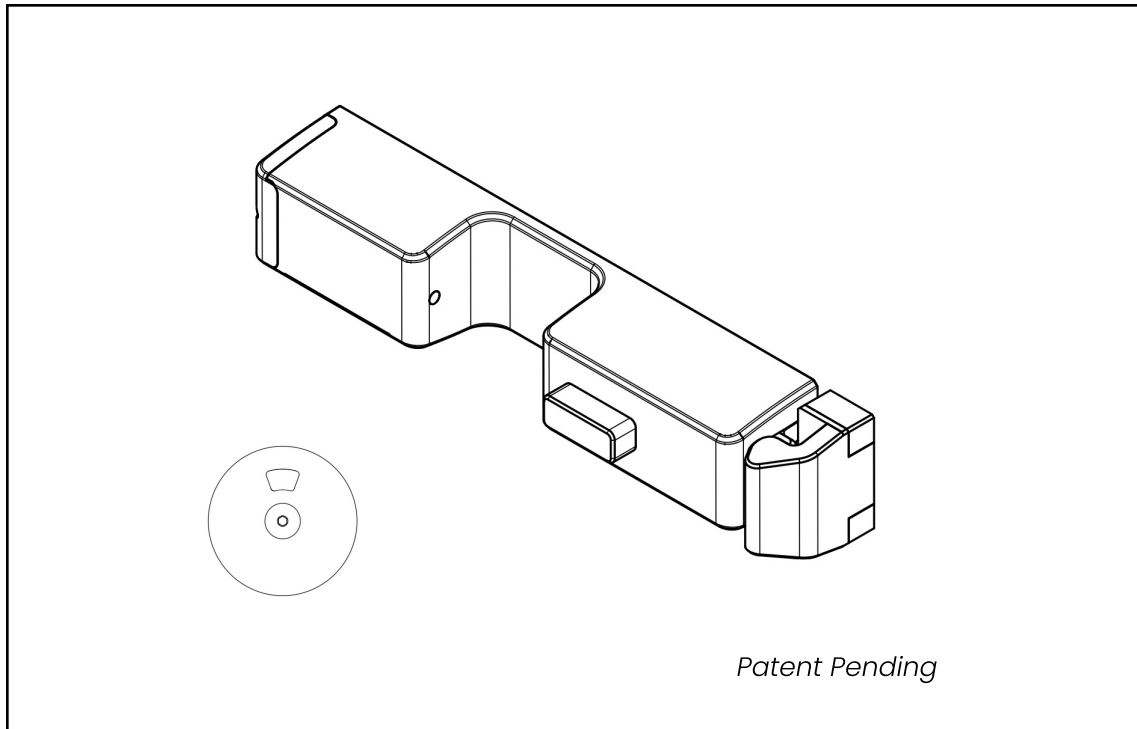


# Technical Specifications



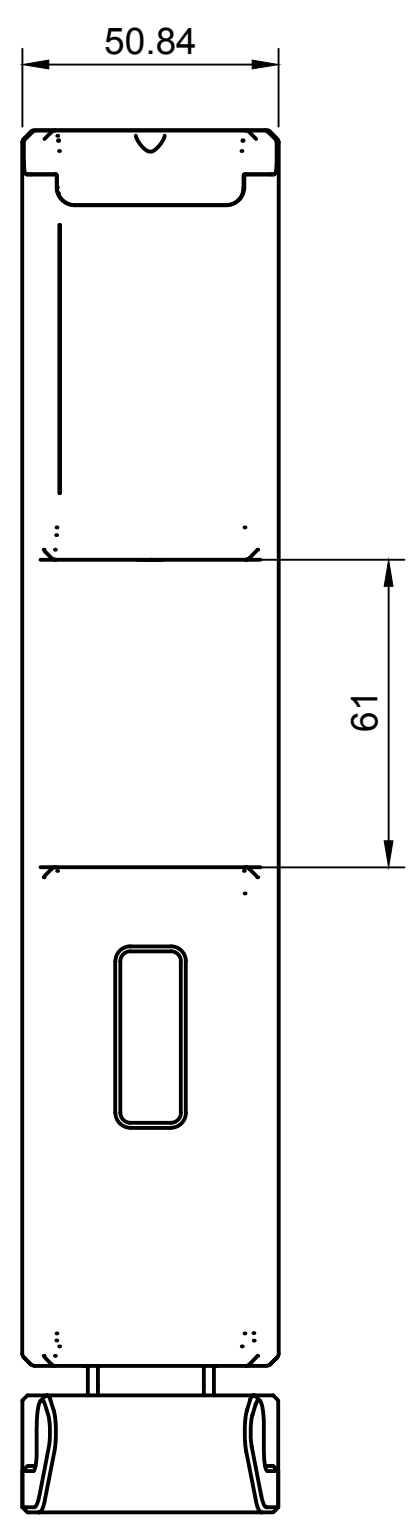
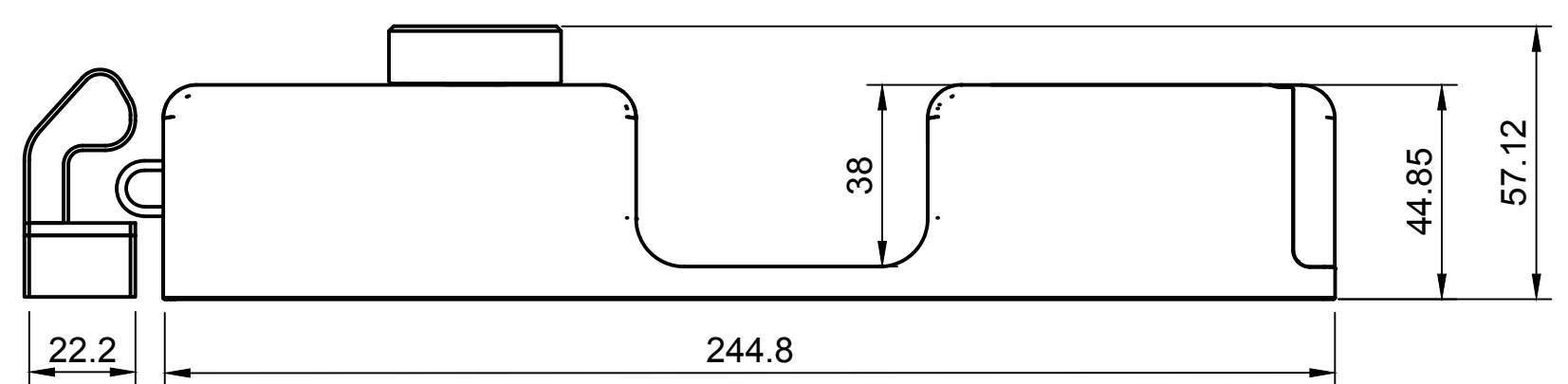
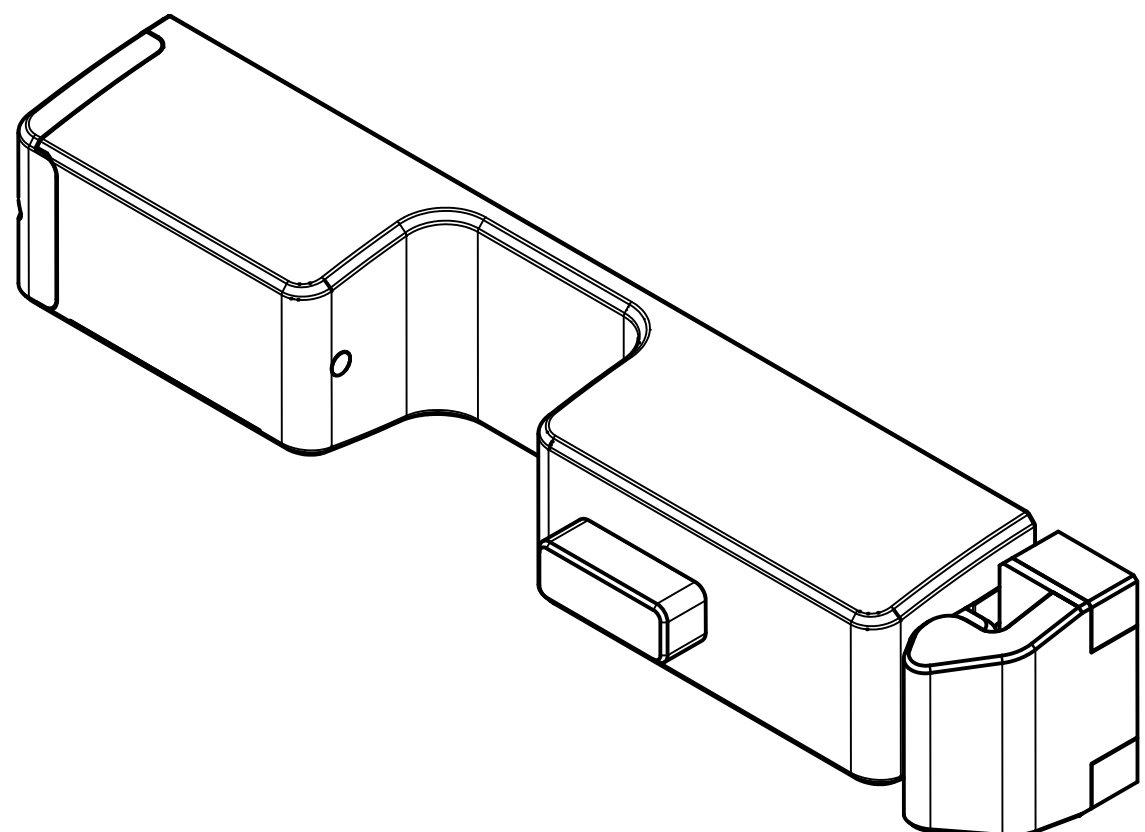
**Size:** See Specs

**Weight:** ~1 lb

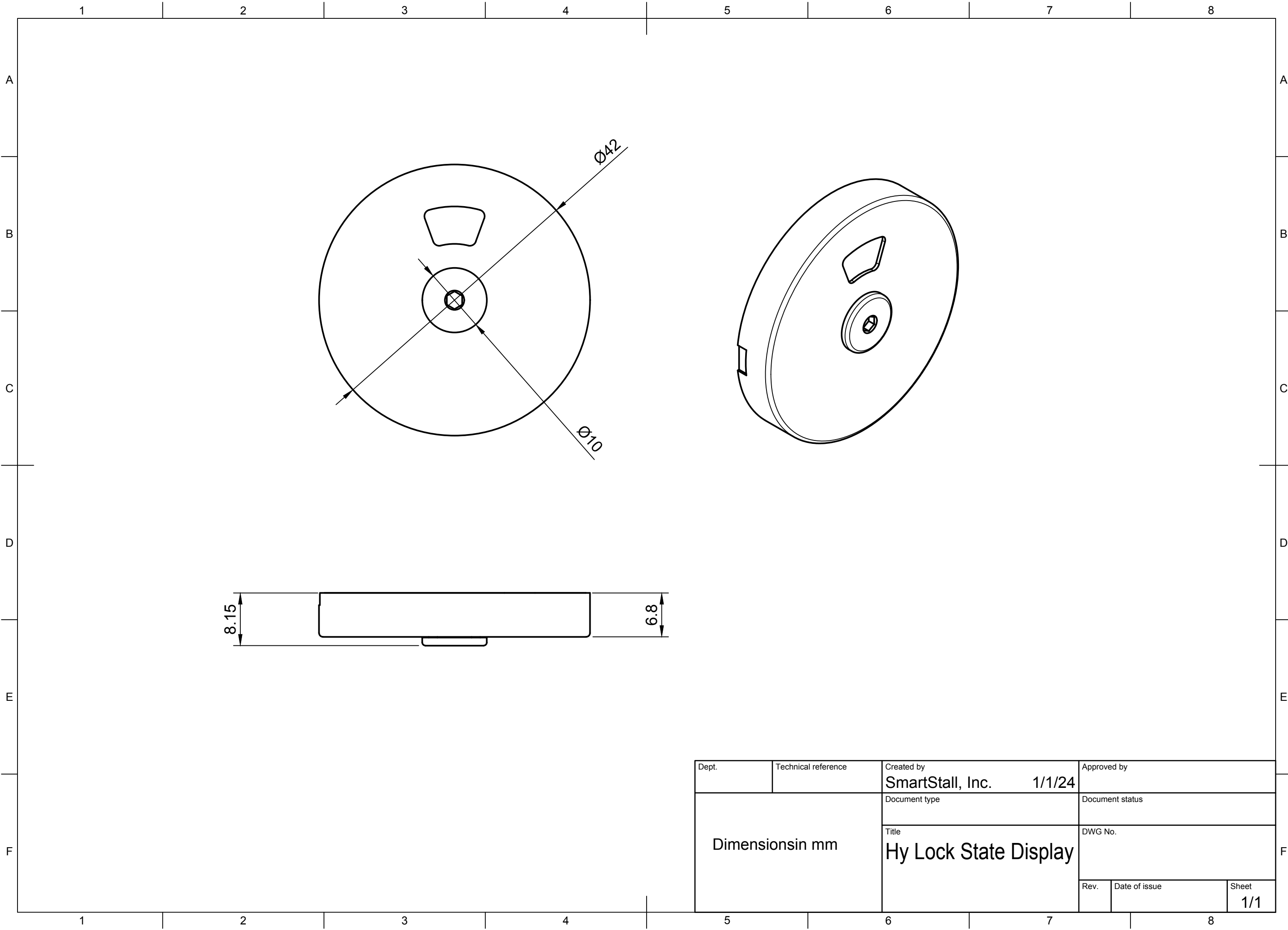
**Finish:** Matte Black, Brushed Stainless Steel, Anodized Aluminum

**Material:** Corresponding Metal, Metal Alloy, ABS, Nylon

**Battery Requirements:** 4xAA



Dept.	Technical reference	Created by <b>SmartStall, Inc.</b>	1/1/24	Approved by
Dimensions in mm		Document type	Document status	
		Title <b>Hy Lock</b>	DWG No.	
Rev.	Date of issue	Sheet	1/1	



Dept.	Technical reference	Created by <b>SmartStall, Inc.</b>	1/1/24	Approved by
Dimensions in mm		Document type	Document status	
		Title <b>Hy Lock State Display</b>	DWG No.	
		Rev.	Date of issue	Sheet <b>1/1</b>