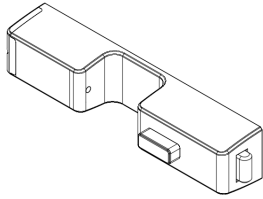


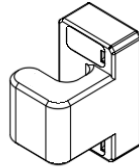
# Installation Manual



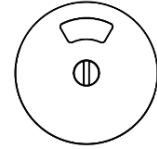
## What's in the Box:



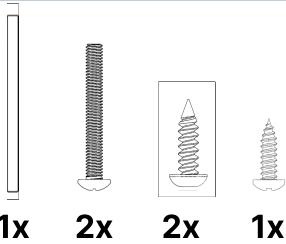
**Latch**



**Keeper**

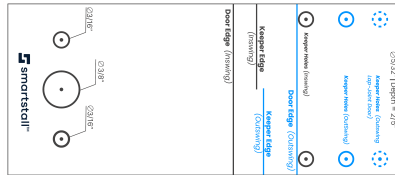


**State Display**

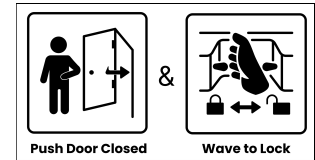


1x 2x 2x 1x

**Fasteners + Pin**

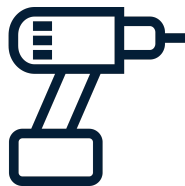


**Template**



**Decal**

## What You'll Need:



**Power Drill**

5/32" + 3/16" + 3/8" Bit  
Tamperproof Bit + Philips Head



**Level**

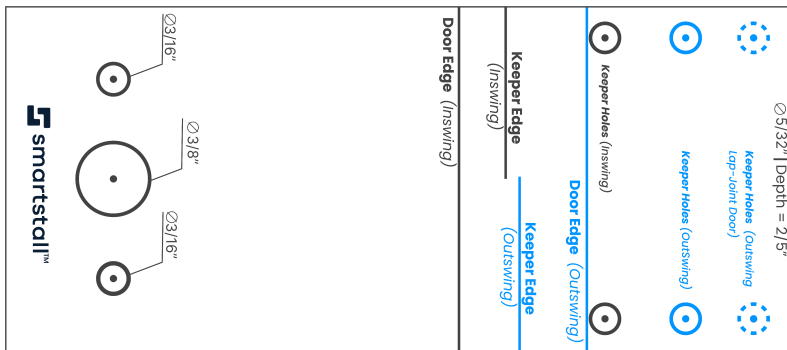
# Installation Manual



## Step 1: Template

*In absence of predrilled holes*

1A

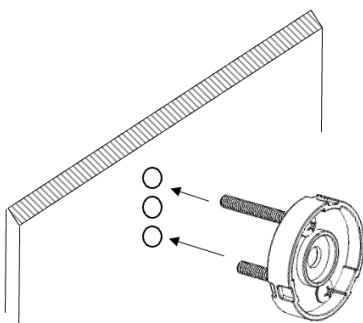


Align template on door (template is reversible for left & right oriented doors). Use a level to ensure the template is properly aligned before sticking it in place or marking holes. Drill holes where shown.

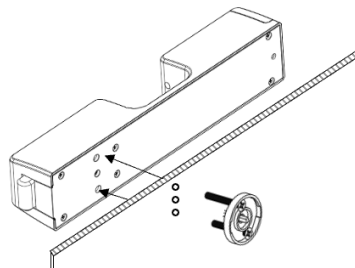
*Note: For lap joint doors, the "edge of door" refers to the edge of the door that is visible to you from inside the stall.*

## Step 2: Attach Latch

2A



2B



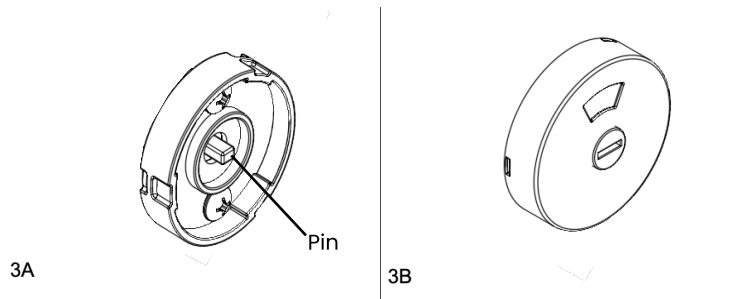
Align state display body with template holes. Insert through-bolts from the exterior of the stall through the state display body into the stall door (2A). Align the latch on the interior of the stall with the through bolts and tighten until secure (2B).

# Installation Manual



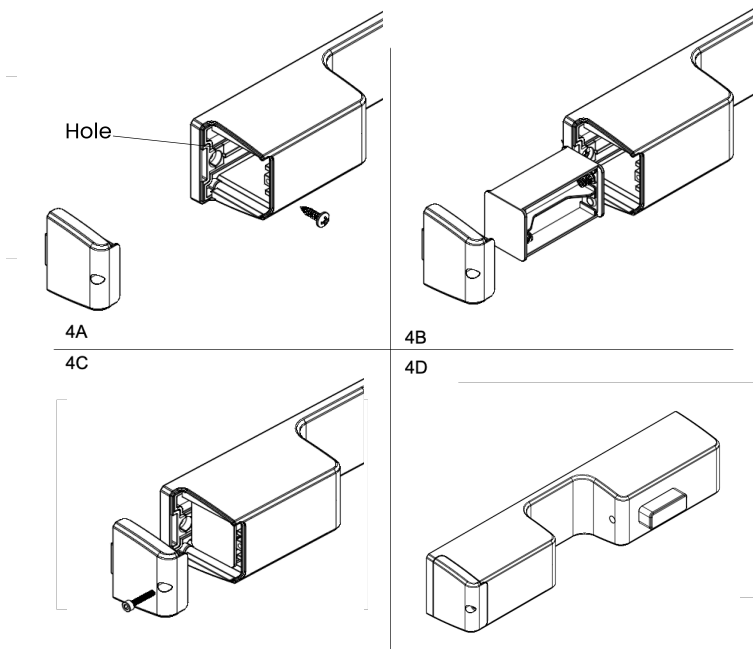
## Step 3: Attach State Display

Insert square pin through the center of the state display body (3A) then attach the colored state indicator and state display cover onto the body (3B).



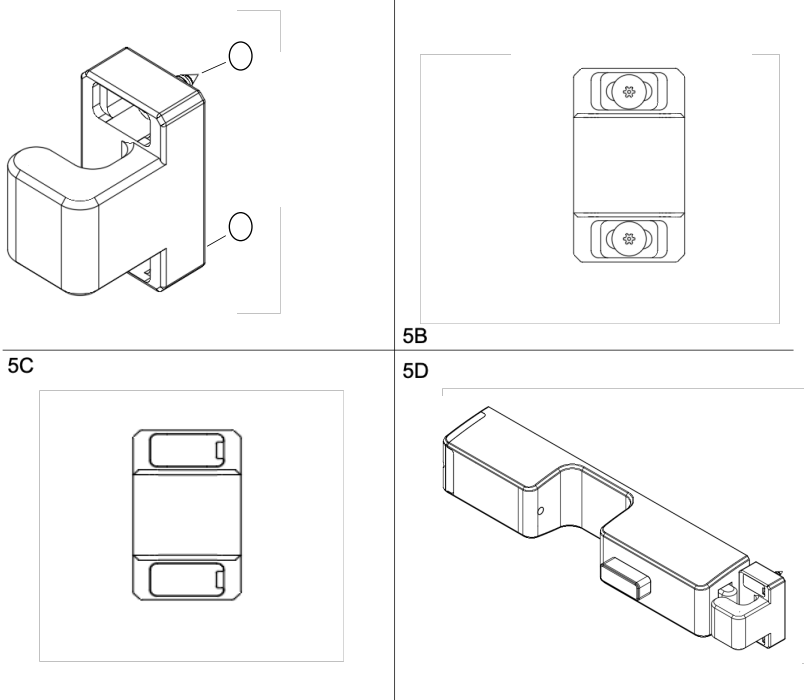
## Step 4: Secure Latch + Batteries

There is a hole found in the battery cavity for further security (4A). Insert and tighten provided screw through this hole to secure the latch. Insert batteries to battery holder (4B). Insert battery holder (4C). Insert battery cover and tighten fastener (4D).





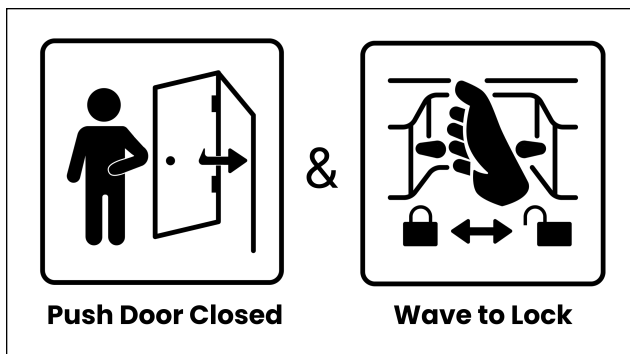
## Step 5: Attach Keeper



Find previously drilled pilot holes (5A). Place keeper against pilaster (5B) and insert screws into these holes. Insert plastic cover to hide screws (5C).

Installation complete (5D).

## Step 6: Place Decal (*optional*)



If you believe your patrons may initially want a visual graphic on how to use the lock, place the provided decal above the lock.