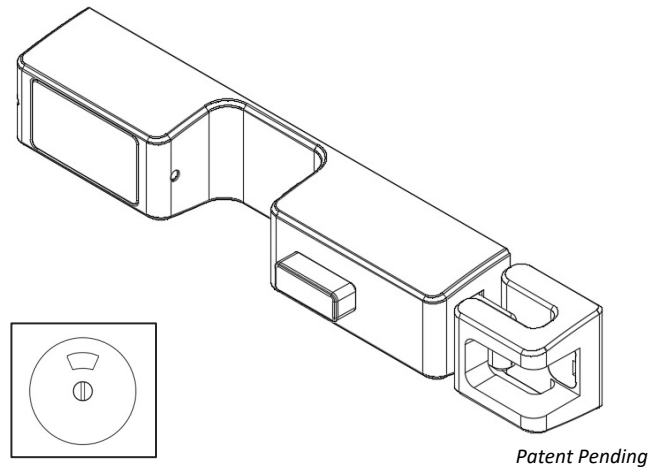


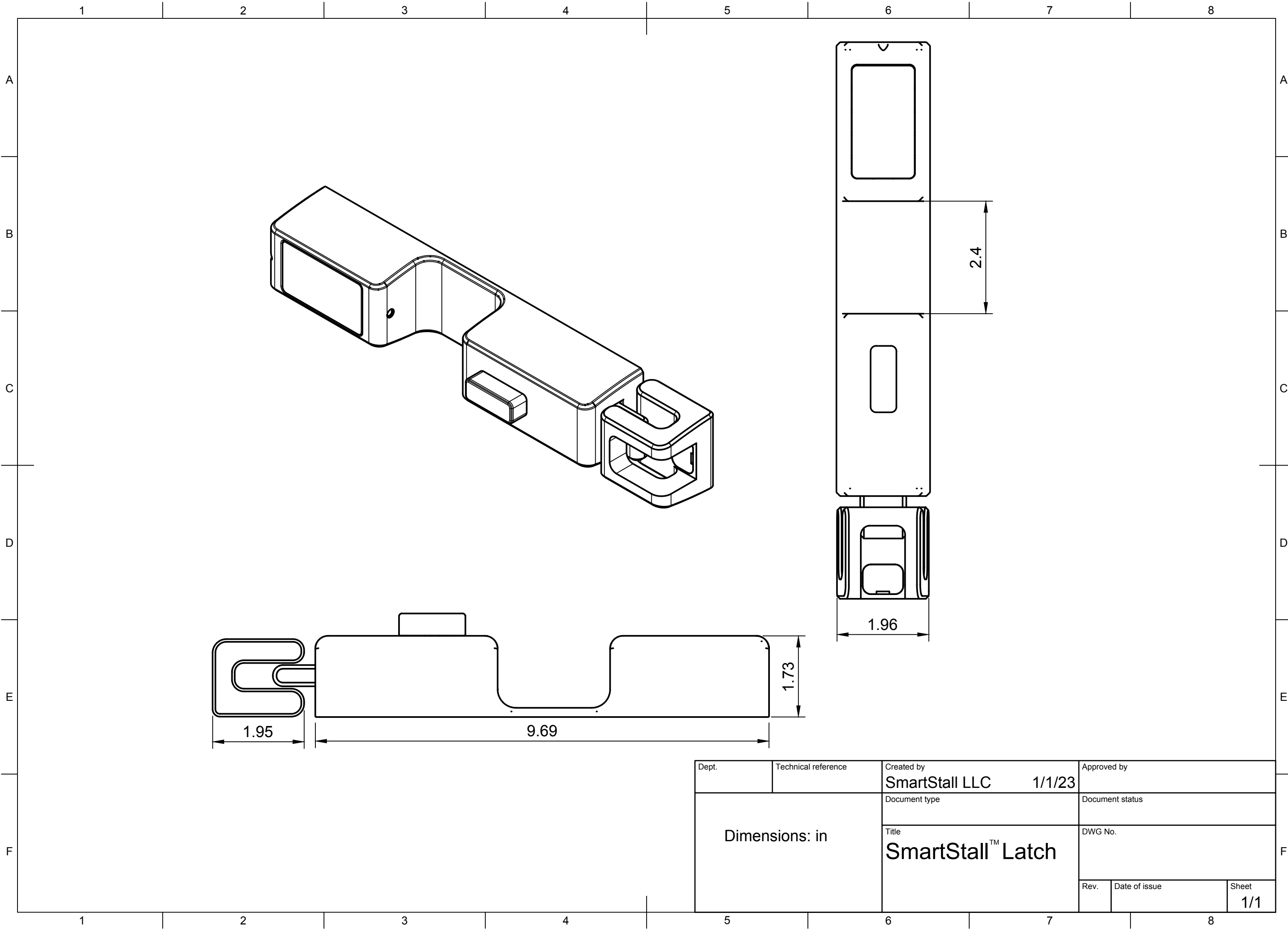
Technical Specifications

A summary of key technical information

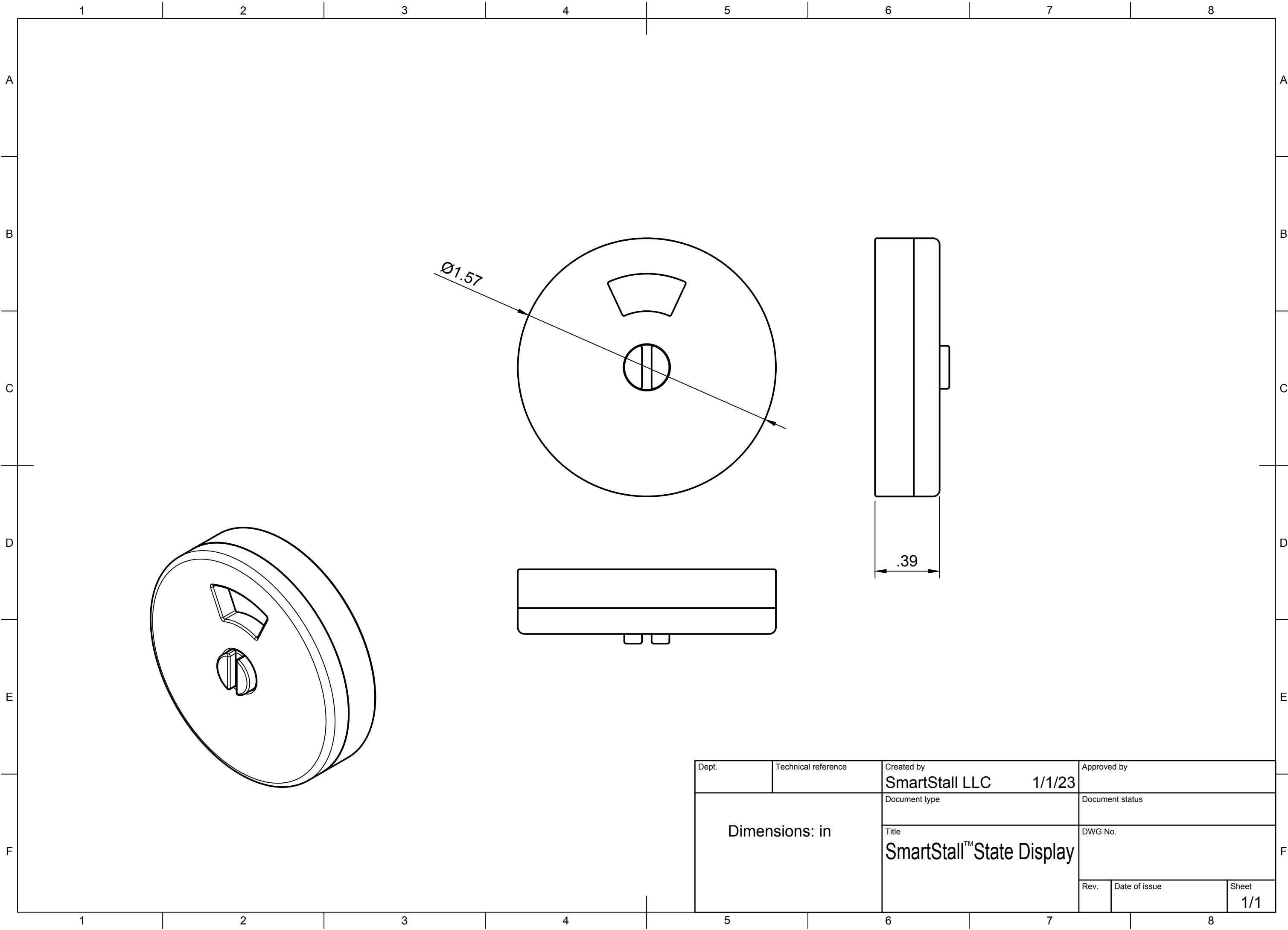


Size:	<ul style="list-style-type: none">• Latch - 2" H x 9.7" W x 1.7" D• Keeper – 2" H x 1.95" W x 1.7" D
Weight:	~1lb
Finish:	Stainless/ Aluminum & Matte Black
Material:	Metal Alloy & GF ABS Plastic
Installation:	An installation manual comes with each latch
Battery Requirements:	4AA

Exact dimensions found on page 2



Dept.	Technical reference	Created by SmartStall LLC	1/1/23	Approved by
Dimensions: in		Document type		Document status
		Title SmartStall™ Latch		DWG No.
		Rev.	Date of issue	Sheet 1/1



Dept.	Technical reference	Created by SmartStall LLC	1/1/23	Approved by
Dimensions: in		Document type	Document status	
		Title SmartStall™ State Display	DWG No.	
	Rev.	Date of issue	Sheet	1/1