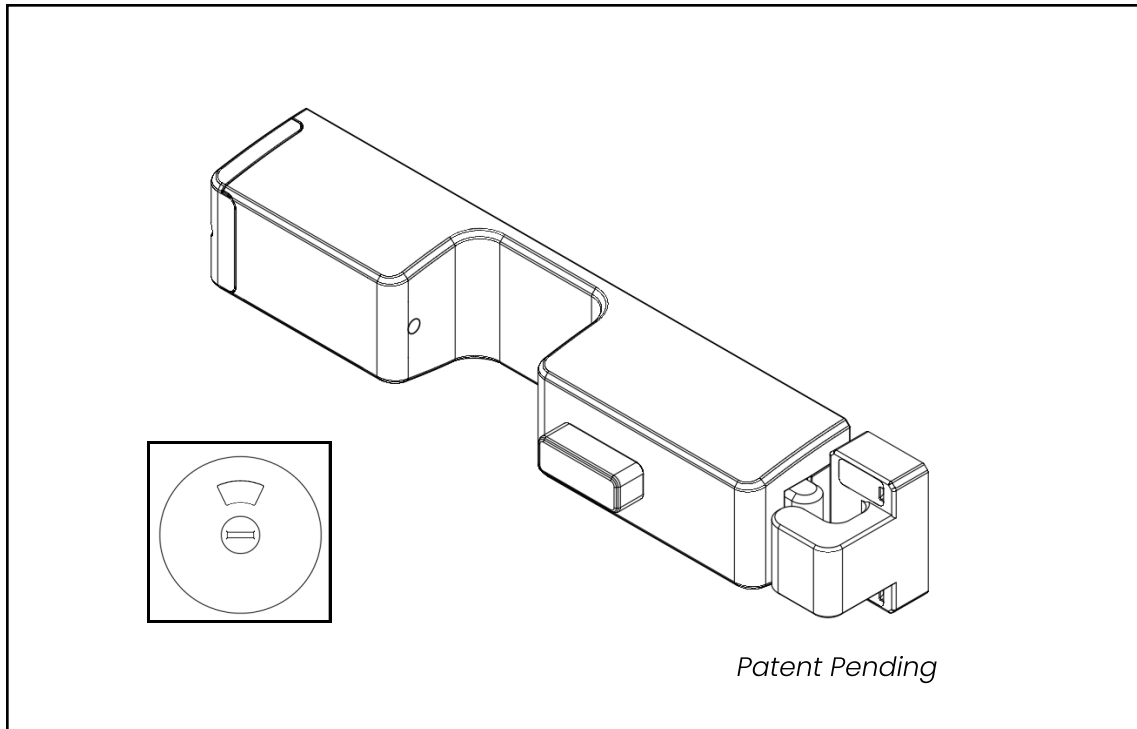


Technical Specifications



Size:

Lock - 2" H x 9.6" W x 1.7" D

Keeper - 2" H x 1.1" W x 1.7" D

Weight:

~1 lb

Finish:

Matte Black, Anodized Aluminium,
Stainless Steel

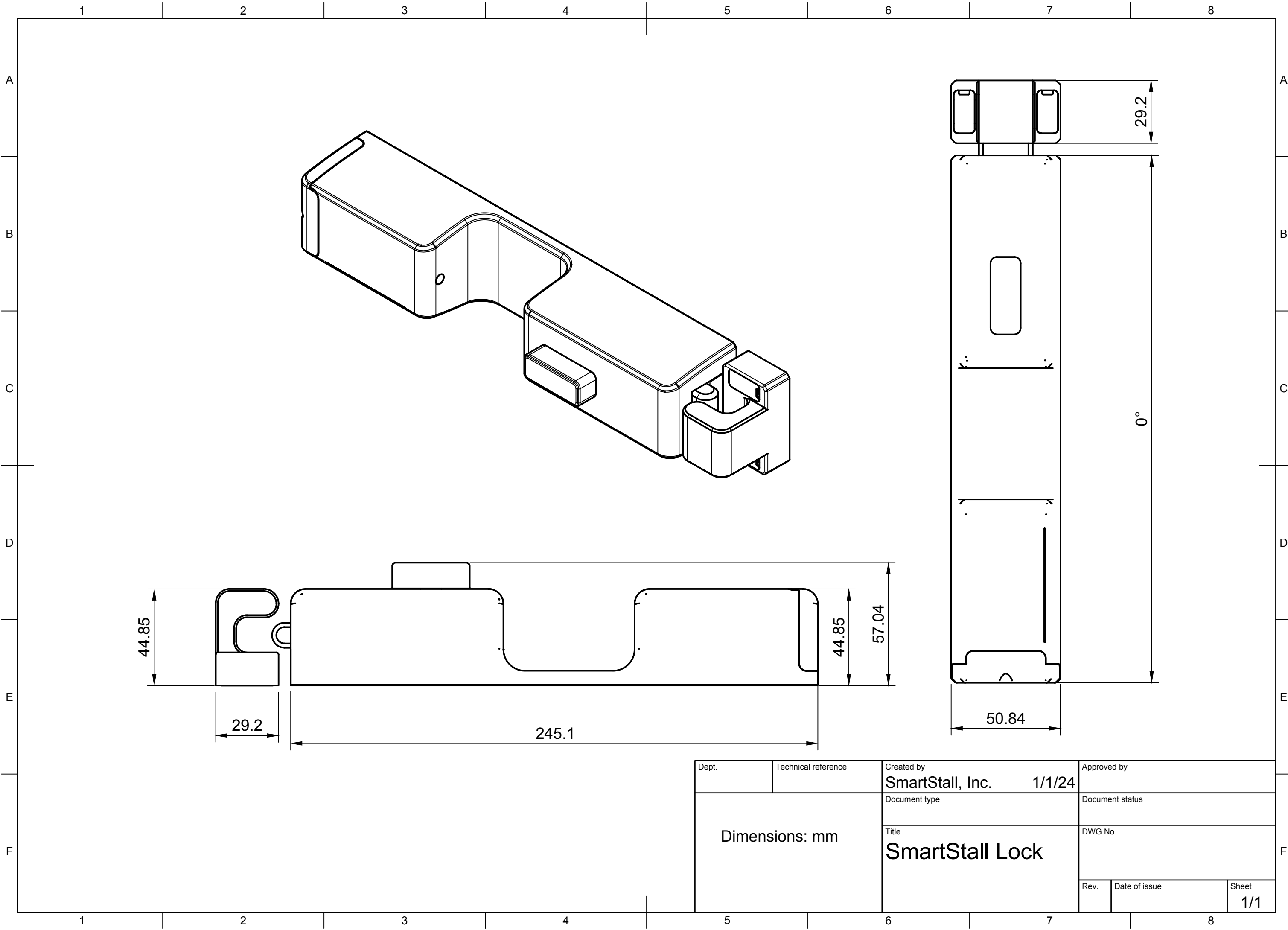
Material:

Corresponding Metal, Metal Alloy, ABS

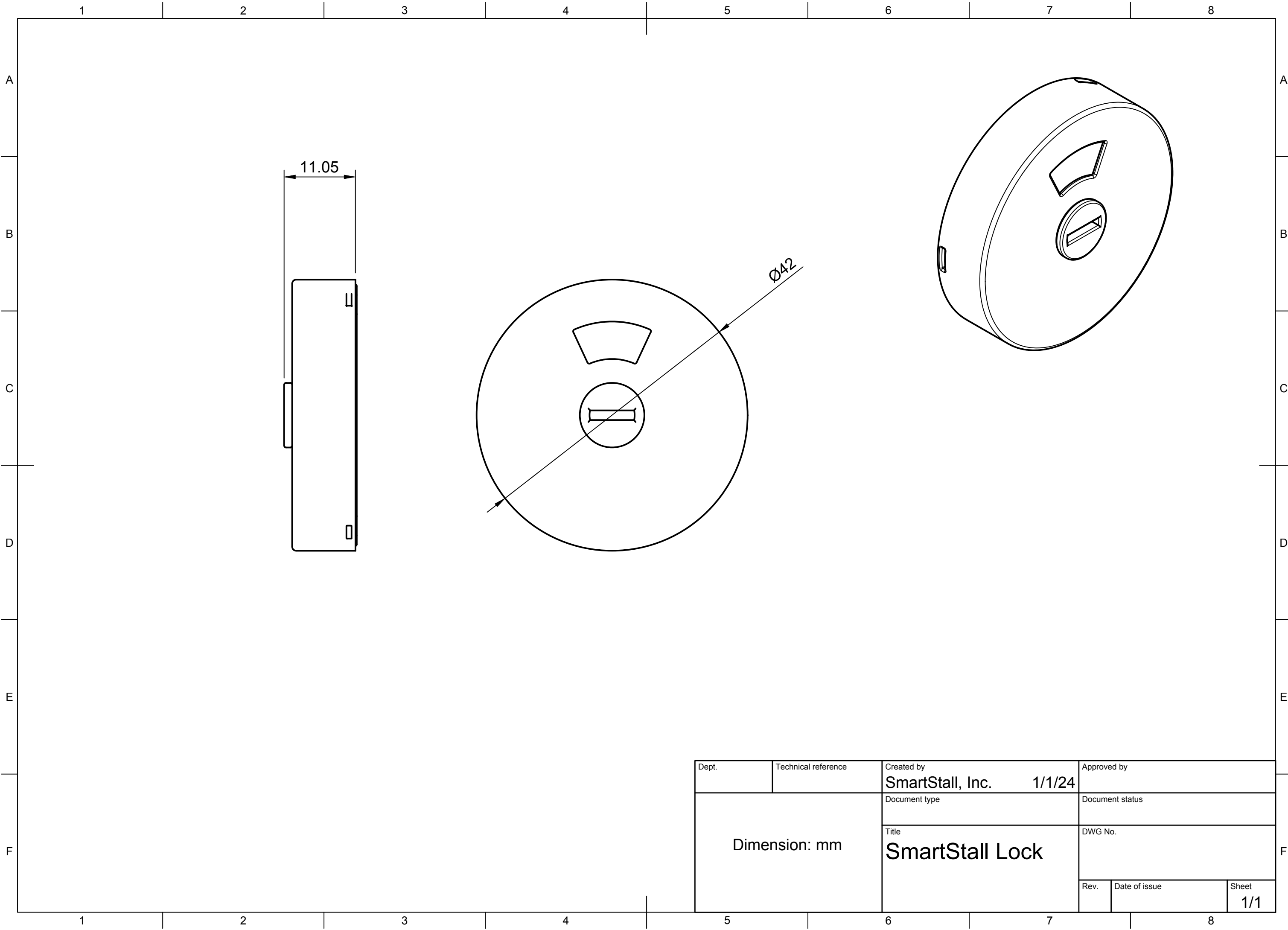
Battery

4xAA

Requirements:



Dept.	Technical reference	Created by SmartStall, Inc.	1/1/24	Approved by
Dimensions: mm		Document type		Document status
		Title SmartStall Lock		DWG No.
		Rev.	Date of issue	Sheet 1/1



Dept.	Technical reference	Created by SmartStall, Inc.	1/1/24	Approved by
Dimension: mm		Document type	Document status	
		Title SmartStall Lock	DWG No.	
Rev.	Date of issue	Sheet	1/1	